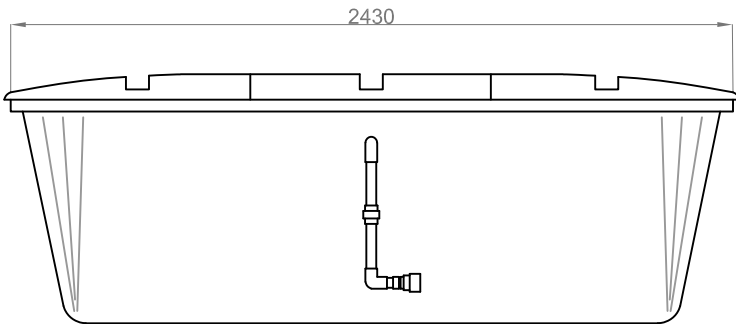
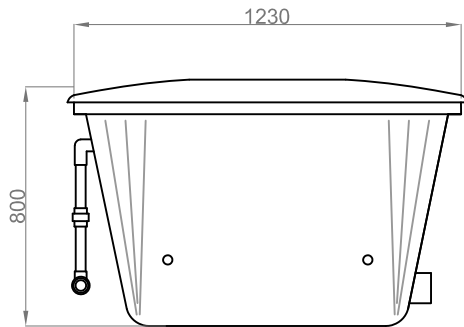


Front Elevation

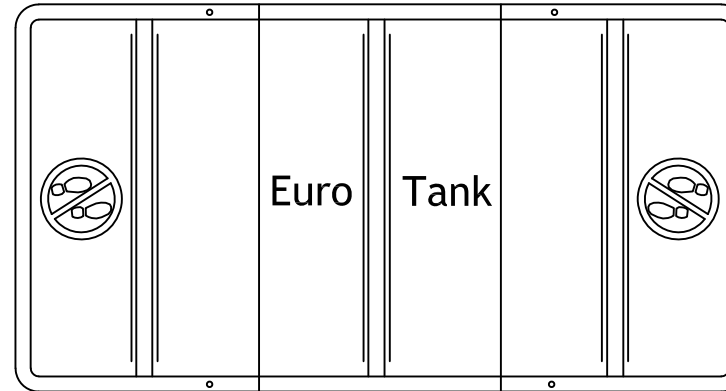


Back Elevation

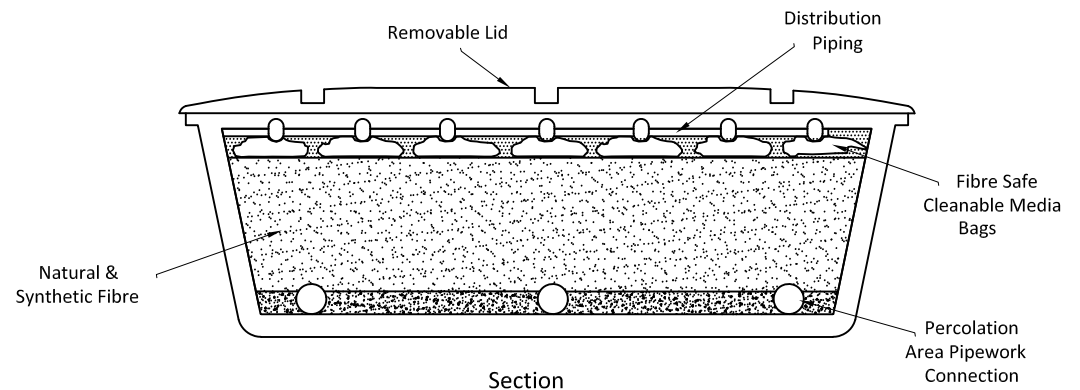


Side Elevation

TER3



Plan



Section

Notes: All Dimensions are given in good faith and believed to be correct
No responsibility can be taken with any errors found by measuring of this drawing

| | | |
|--------------------|---------------------|---|
| Scale: 1:25@ A4 | Date: 18/11/2021 | www.Sewagesystems.ie Phone : 087 9859681 |
|--------------------|---------------------|---|

TER 3 Percolation Unit 6PE

1st & 2nd Floor, Kilmurry House, Main Street,
Castlerea, Co Roscommon, F45 DK58

SEWAGE
SYSTEMS

EuroTank

Notes: Do not Scale off this Drawing